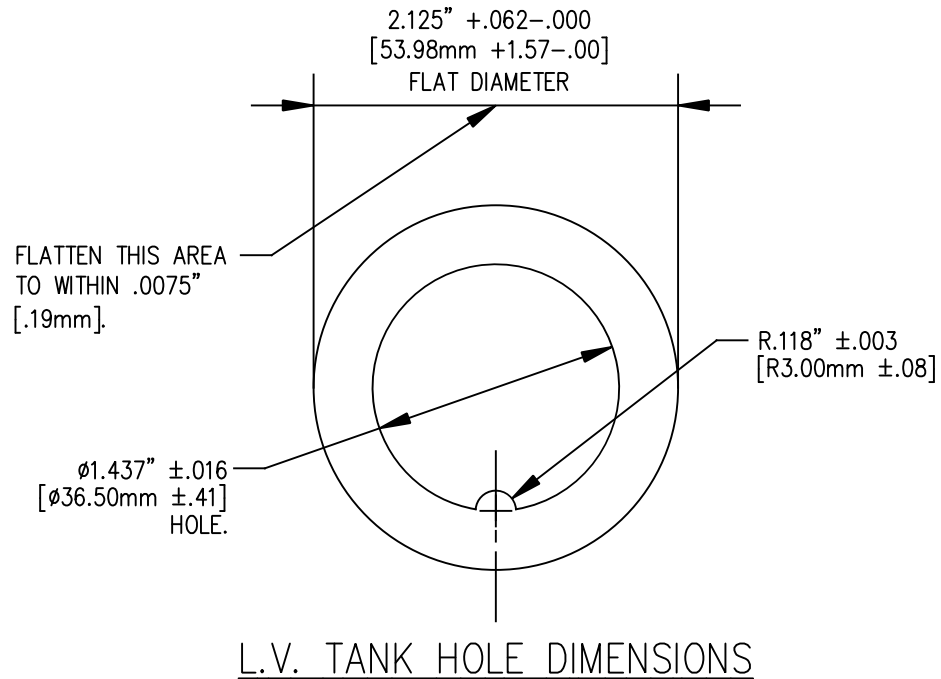
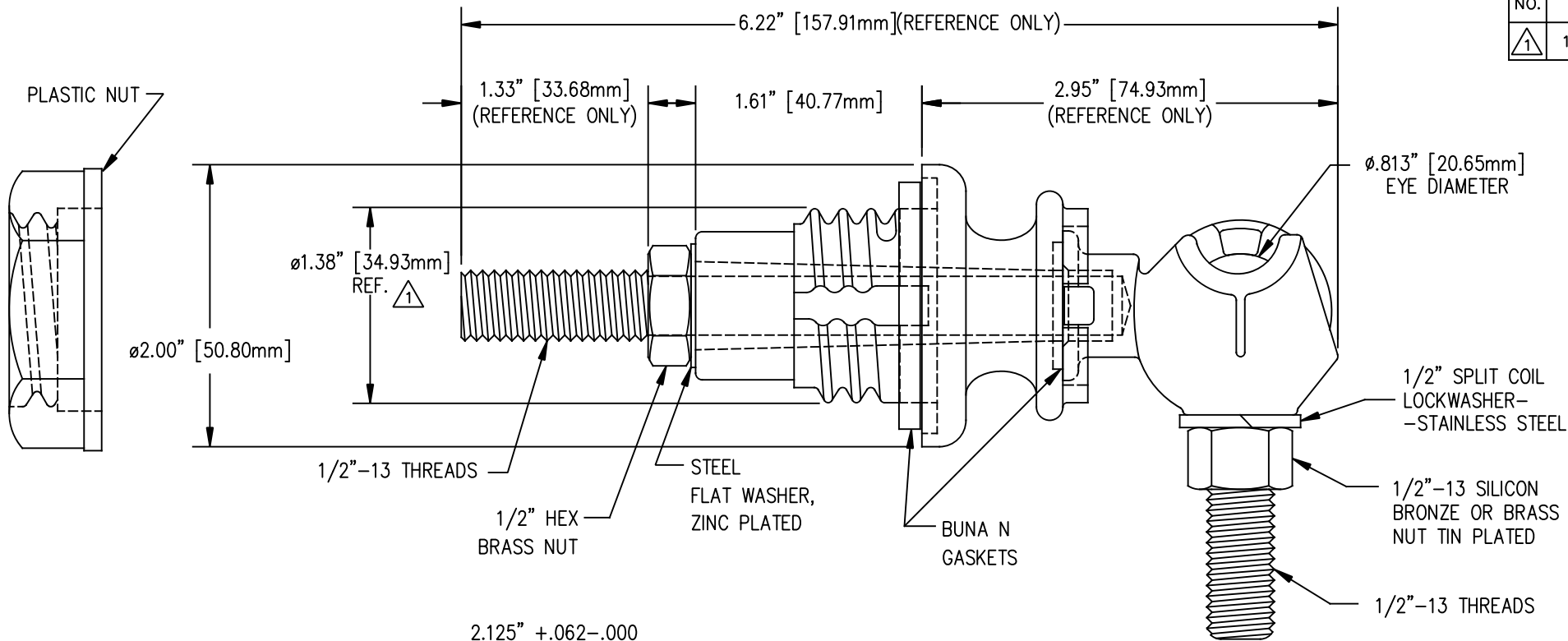


REVISIONS

NO.	DATE	ECN #	REMARKS	BY	APPD.
1	11-23-15	HJ14-269	Ø1.38 REF. WAS Ø1.39	CLS	BLB



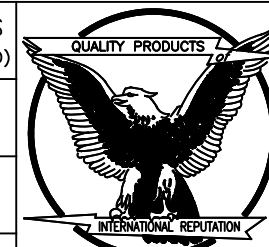
NOTES:

1. INCLUDES TWO EXTRA BRASS NUTS.

MATERIAL:

STUD - COPPER CDA 11000
 BODY - CDA 84400 TIN PLATED
 EYEBOLT - CDA 95500 TIN PLATED

TOLERANCES (EXCEPT AS NOTED)	
DECIMAL	± .032" / .8mm
FRACTIONAL	±
ANGULAR	± 2°



H-J ENTERPRISES, INC.
 3010 HIGH RIDGE BLVD. HIGH RIDGE, MO. 63049 USA
 PHONE 1-636-677-3421 FAX 1-636-376-1915

50 KVA L.V. BUSHING ASSEMBLY
 NON-PORCELAIN INSULATOR

MATERIAL
 (SEE ABOVE)

CHK'D	APP'D	DRAWING NO.
		AS1002-045
DRAWN BY CJT	DATE 4-24-03	SCALE N.T.S.